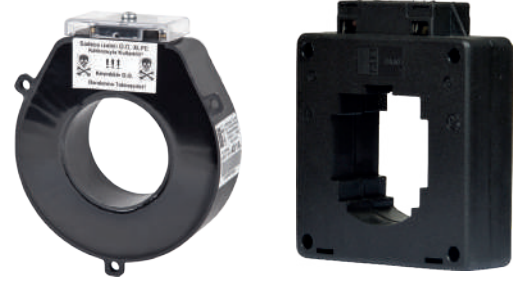


CURRENT TRANSFORMERS



Current transformers are measuring transformers that transmit the current in the circuit to which they are connected to the secondary at certain rates and provide insulation of measuring instruments from high voltage. In current transformers, the phase difference between the primary current and the secondary current is close to zero.

XLPE CABLE TYPE CURRENT TRANSFORMER

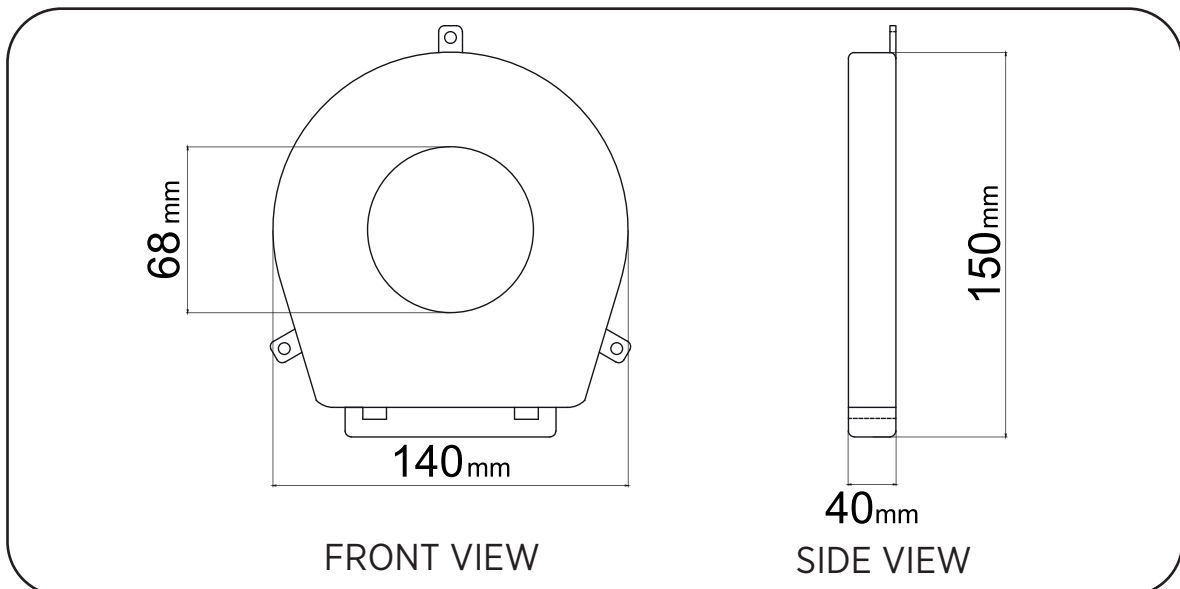


- Core: Magnetic material.
- Windings: H class enameled wire.
- Resin: It is coated by molding method.

Product Code	Product Name	Product Description	Hole Size	VA	Primer Current (A)	Seconder Current (A)
GA6911	OAT 11	OG TOROID CURRENT TRANSFORMER (40/1)	68 mm	1.25	40	1
GA6912	OAT 12	OG TOROID CURRENT TRANSFORMER (100/5)	68 mm	5	100	5

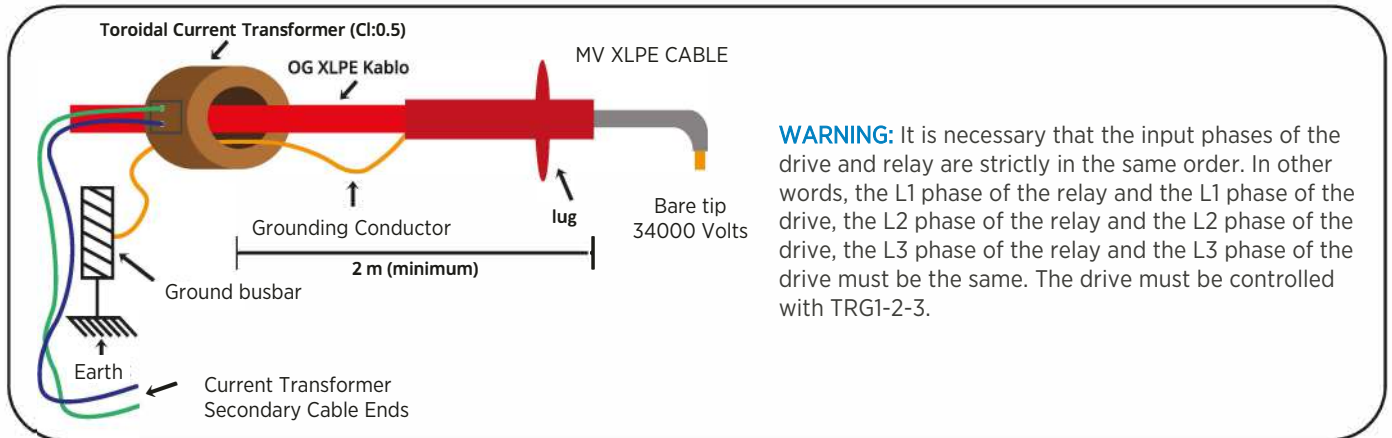
- ▶ Up to 2500 KVA 40/1 XLPE cable type current transformer is used.
- ▶ Between 2500 - 6000 100/5 XLPE cable type current transformer is used.

TECHNICAL DRAWINGS

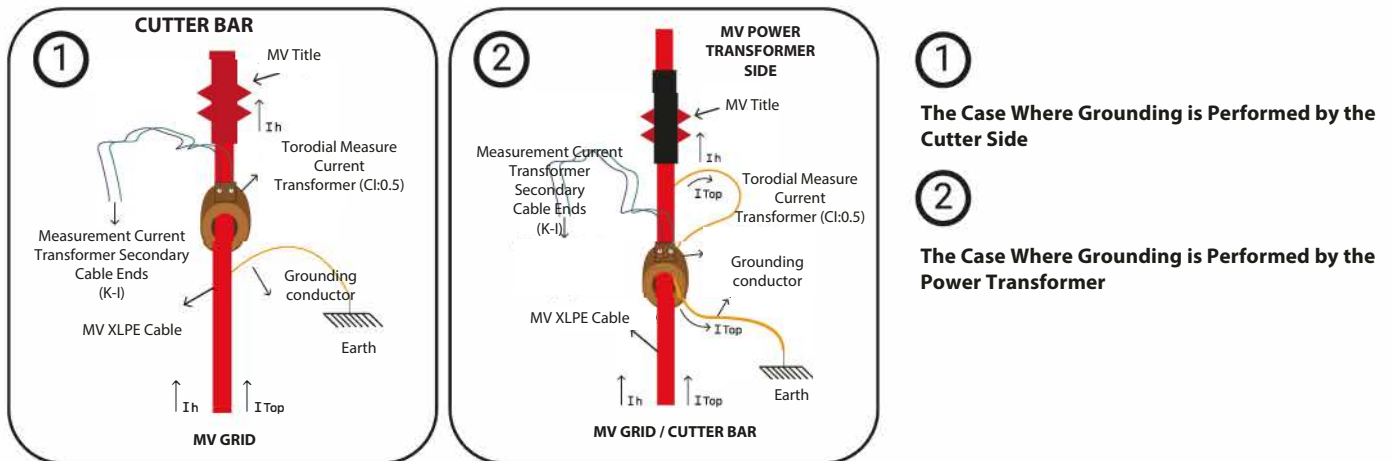


XLPE CABLE TYPE CURRENT TRANSFORMER

THE CONNECTION METHOD OF THE XLPE CABLE TYPE CURRENT TRANSFORMER



TYPES OF CONNECTIONS BETWEEN CURRENT TRANSFORMER AND GROUNDING CABLES



CROSS SECTIONS OF THE CABLES TO WHICH XLPE CABLE TYPE CURRENT TRANSFORMERS WILL BE INSTALLED

Current transformer selection and cable cross-section-length dimensions that can be used according to power capacities for SVC MV Reactive Power Control Relays are as in the table

Cross Sections of the Cables to Which XLEPE Cable Type Transformers Will be Installed (mm ²)																					
CURRENT TRANSFORMERS	TRANSFORMER Power (kVA/r)	The Distance Between the Current Transformer and the Relay (m)																			
		10	20	30	40	50	60	70	80	90	100	110	120	130	140	150	160	170	180	190	200
40 / 1	400	1,5	1,5	1,5	1,5	1,5	1,5	1,5	1,5	1,5	1,5	1,5	1,5	1,5	1,5	1,5	1,5	1,5	1,5	1,5	
	630	1,5	1,5	1,5	1,5	1,5	1,5	1,5	1,5	1,5	1,5	1,5	1,5	1,5	1,5	1,5	1,5	1,5	1,5	1,5	
	800	1,5	1,5	1,5	1,5	1,5	1,5	1,5	1,5	1,5	1,5	1,5	1,5	1,5	1,5	1,5	1,5	1,5	1,5	2,5	2,5
	1000	1,5	1,5	1,5	1,5	1,5	1,5	1,5	1,5	1,5	1,5	1,5	2,5	2,5	2,5	2,5	2,5	2,5	2,5	2,5	4
	1250	1,5	1,5	1,5	1,5	1,5	1,5	1,5	2,5	2,5	2,5	2,5	2,5	4	4	4	4	4	4	4	4
	1600	1,5	1,5	1,5	1,5	2,5	2,5	2,5	4	4	4	4	4	6	6	6	6	6	6	10	10
	2000	1,5	1,5	2,5	2,5	4	4	4	6	6	6	6	10	10	10	10	10	10	10	10	L >>
	2500	1,5	2,5	2,5	4	4	6	6	10	10	10	10	10	L >>	L >>	L >>	L >>	L >>	L >>	L >>	L >>
100 / 5	400	1,5	1,5	1,5	1,5	1,5	1,5	1,5	1,5	1,5	1,5	1,5	1,5	1,5	1,5	1,5	1,5	1,5	1,5	1,5	
	630	1,5	1,5	1,5	1,5	1,5	1,5	1,5	1,5	1,5	1,5	1,5	1,5	1,5	1,5	1,5	1,5	1,5	1,5	1,5	
	800	1,5	1,5	1,5	1,5	1,5	1,5	1,5	1,5	1,5	1,5	1,5	1,5	1,5	1,5	1,5	1,5	1,5	1,5	1,5	
	1000	1,5	1,5	1,5	1,5	1,5	1,5	1,5	1,5	1,5	1,5	1,5	1,5	1,5	1,5	1,5	1,5	1,5	1,5	1,5	
	1200	1,5	1,5	1,5	1,5	1,5	1,5	1,5	1,5	1,5	1,5	1,5	1,5	1,5	1,5	1,5	1,5	1,5	1,5	1,5	2,5
	1600	1,5	1,5	1,5	1,5	1,5	1,5	1,5	1,5	1,5	1,5	1,5	2,5	2,5	2,5	2,5	2,5	2,5	2,5	2,5	4
	2000	1,5	1,5	1,5	1,5	1,5	1,5	1,5	2,5	2,5	2,5	2,5	2,5	4	4	4	4	4	4	4	6
	2500	1,5	1,5	1,5	1,5	2,5	2,5	2,5	4	4	4	4	4	6	6	6	6	6	6	6	10

LV CURRENT TRANSFORMERS



GA.30S LV CURRENT TRANSFORMERS

Product Model	Primary Current (A)/ Secondary Current (A) Origin Code				Rated Power (VA)	Class
	75/5 GA6001	100/5 GA6002	125/5 GA6003	150/5 GA6004		
GA.30S	200/5 GA6005				1,5	1
	250/5 GA6006	300/5 GA6007	400/5 GA6008	600/5 GA6009	2,5	1
					5	0,5

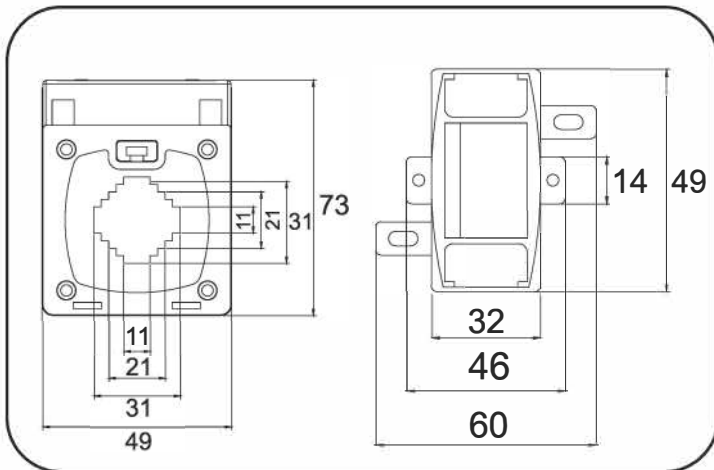


GA.30M LV CURRENT TRANSFORMERS (MINI)

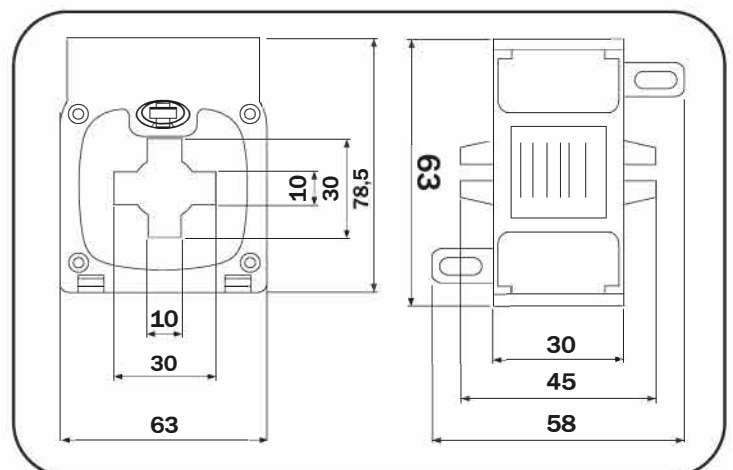
Product Model	Primary Current (A)/ Secondary Current (A) Origin Code						Sealed	Rated Power (VA)	Class	
	30/5 GA6101	40/5 GA6102	50/5 GA6103	60/5 GA6104	75/5 GA6105	80/5 GA6106				
GA.30M (30 x 10)	100/5 GA6107	125/5 GA6108						1,5	1	
	100/5 GA6109	125/5 GA6110						1,5	0,5	
	150/5 GA6111	200/5 GA6112						2,5	1	
	250/5 GA6113	300/5 GA6114	400/5 GA6115	500/5 GA6116	600/5 GA6117			2,5	0,5	
	300/5 GA6118	400/5 GA6119	500/5 GA6120	600/5 GA6121				5	0,5	
	300/5 GA6122	400/5 GA6123	500/5 GA6124	600/5 GA6125			✓	10	0,5	
	100/5 GA6126						✓	1,5	0,5	
	150/5 GA6127						✓	2,5	0,5	
	GA6151	AT RAY	Rail Mounting Device							

TECHNICAL DRAWINGS

GA. 30S LV CURRENT TRANSFORMERS



GA. 30M LV Current Transformers (MINI)



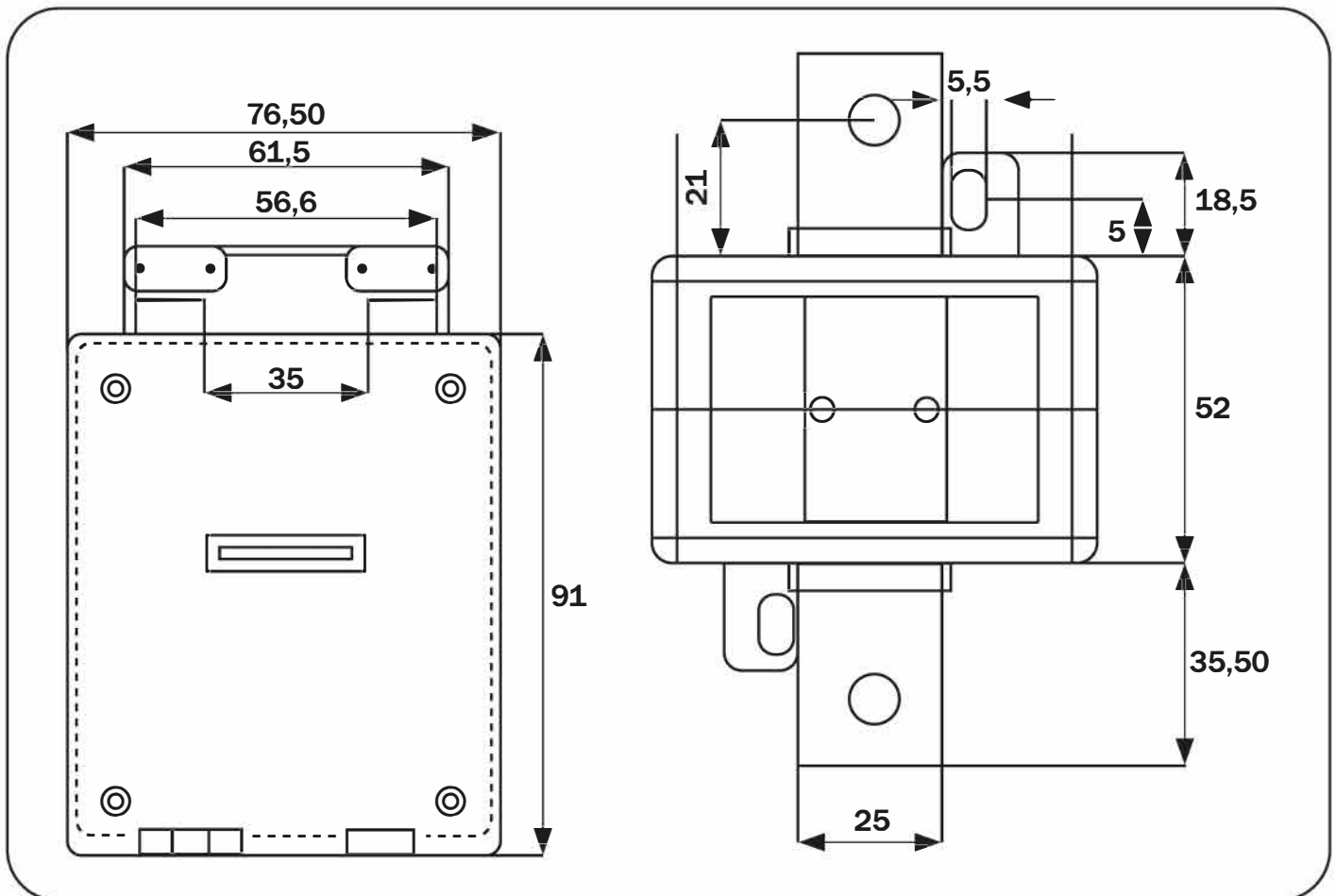
GA. B. LV CURRENT TRANSFORMERS (WITH BUSBAR)



Product Model	Primary Current (A)/ Secondary Current (A) Origin Code										Sealed	Rated Power (VA)	Class
	5/5 GA6201	10/5 GA6202	15/5 GA6203	20/5 GA6204	25/5 GA6205	30/5 GA6206	40/5 GA6207						
GA.B (BUSBAR)	50/5 GA6208	60/5 GA6209	75/5 GA6210	80/5 GA6211	100/5 GA6212	125/5 GA6213	150/5 GA6214					5	0.5
	5/5 GA6215	10/5 GA6216	15/5 GA6217	20/5 GA6218	25/5 GA6219	30/5 GA6220	40/5 GA6221					10	0.5
	50/5 GA6222	60/5 GA6223	75/5 GA6224	80/5 GA6225	100/5 GA6226	125/5 GA6227	150/5 GA6228					10	0.5
	30/5 GA6229	40/5 GA6230	50/5 GA6231	60/5 GA6232	75/5 GA6233	80/5 GA6234	100/5 GA6235	125/5 GA6236	150/5 GA6237	✓	10	0.5	

TECHNICAL DRAWINGS

GA. B. LV CURRENT TRANSFORMERS (WITH BUSBAR)

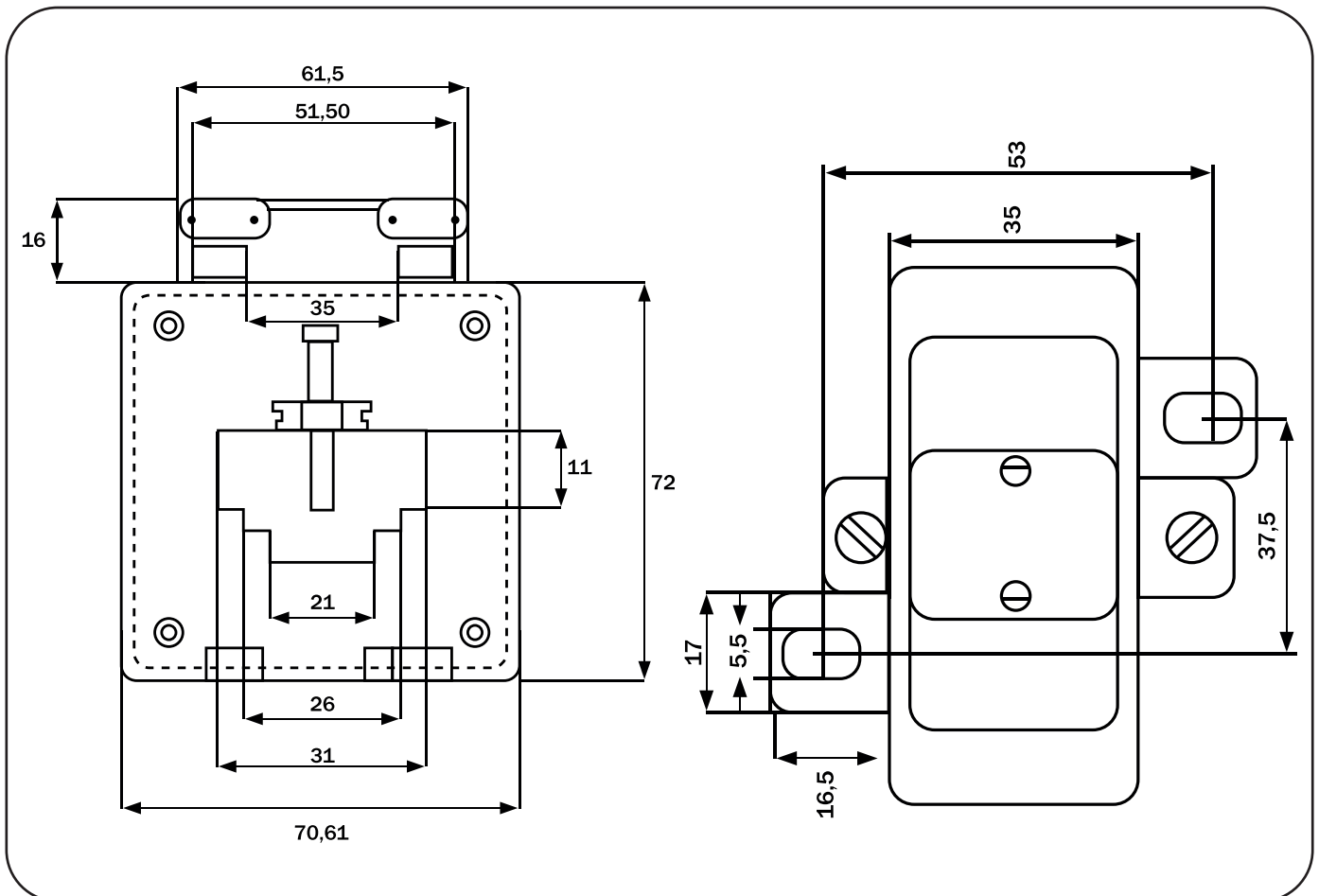


GA.30 LV CURRENT TRANSFORMERS



Product Model	Primary Current (A)/ Secondary Current (A) Origin Code						Sealed	Rated Power (VA)	Class
	20/5 GA6301	25/5 GA6302	30/5 GA6303	40/5 GA6304	50/5 GA6305	60/5 GA6306			
GA.30 (30 x 10)	75/5 GA6307	80/5 GA6308	100/5 GA6309	125/5 GA6310	150/5 GA6311			5	1
	250/5 GA6312	300/5 GA6313						5	0.5
	250/5 GA6314	300/5 GA6315						10	0.5
	250/5 GA6316	300/5 GA6317					✓	10	0.5

TECHNICAL DRAWINGS



GA.30D LV CURRENT TRANSFORMERS



Product Model	Primary Current (A)/ Secondary Current (A) Origin Code	Sealed	Rated Power (VA)	Class
GA.30D (30 x 10)	200/5 GA6318		5	0.5
	200/5 GA6319		10	0.5
	200/5 GA6320	✓	10	0.5

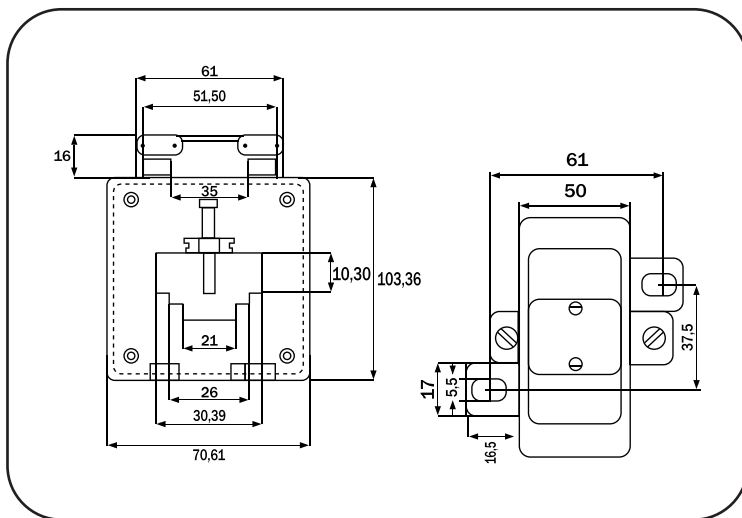


GA.40 LV CURRENT TRANSFORMERS

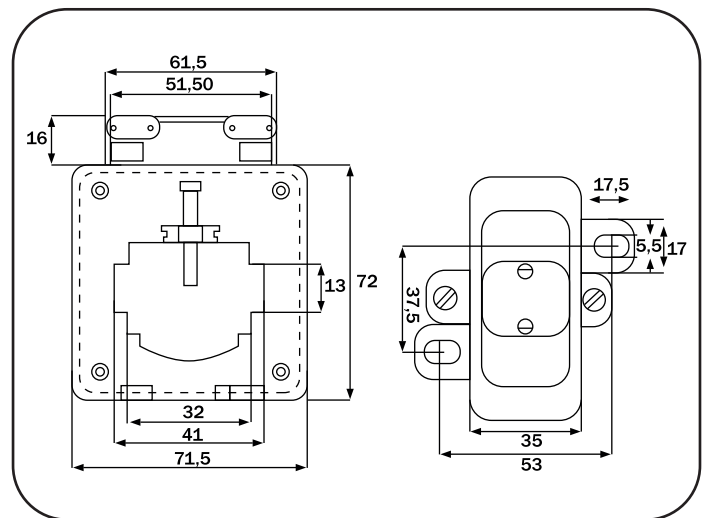
Product Model	Primary Current (A)/ Secondary Current (A) Origin Code				Sealed	Rated Power (VA)	Class
GA.40 (40 x 10)	300/5 GA6401	400/5 GA6402	500/5 GA6403	600/5 GA6404		5	0.5
	300/5 GA6405	400/5 GA6406	500/5 GA6407	600/5 GA6408		10	0.5
	400/5 GA6409	500/5 GA6410	600/5 GA6411		✓	10	0.5

TECHNICAL DRAWINGS

GA.30D LV CURRENT TRANSFORMERS



GA. 40 LV CURRENT TRANSFORMERS



GA.60 LV CURRENT TRANSFORMERS



Product Model	Primary Current (A)/ Secondary Current (A) Origin Code			Sealed	Rated Power (VA)	Class
GA.60 (60 x 10)	700/5 GA6500	750/5 GA6501	800/5 GA6502		10	0.5
	1000/5 GA6503	1200/5 GA6504	1250/5 GA6505		10	0.5
	750/5 GA6506	800/5 GA6507			15	0.5
	1000/5 GA6508	1200/5 GA6509	1250/5 GA6510		15	0.5
	700/5 GA6511	750/5 GA6512	800/5 GA6513	✓	10	0.5
	1000/5 GA6514	1200/5 GA6515	1250/5 GA6516	✓	10	0.5

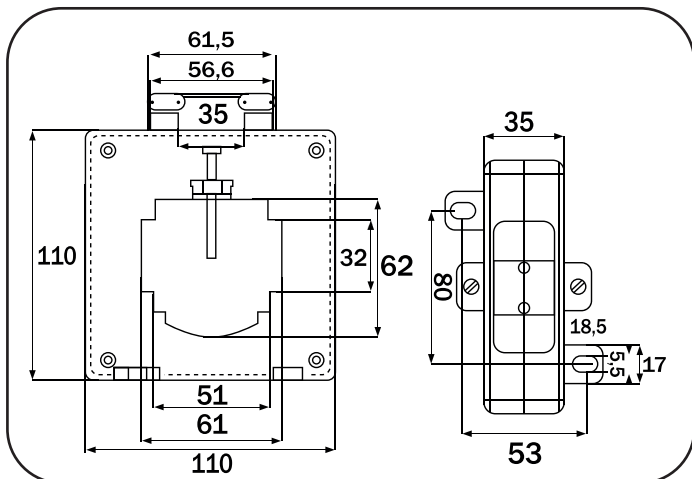
GA.60 NARROW LV CURRENT TRANSFORMERS



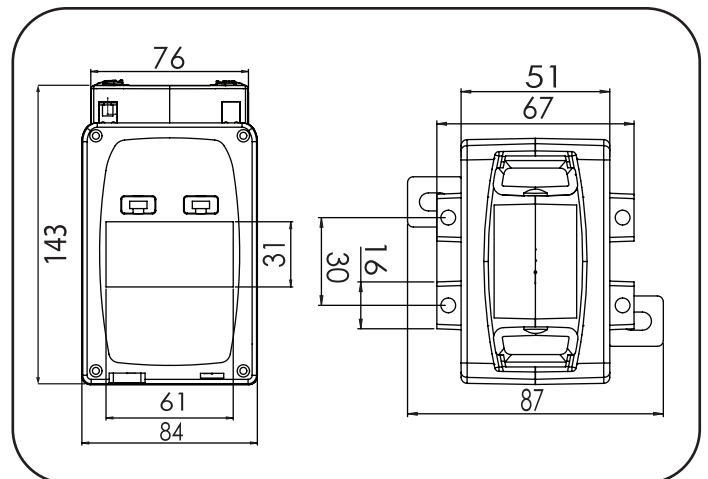
Product Model	Primary Current (A)/ Secondary Current (A) Origin Code					Rated Power (VA)	Class
GA.60 DAR	400/5 GA6517	600/5 GA6518	750/5 GA6519	1000/5 GA6520	1250/5 GA6521	10	0,5
	1600/5 GA6522	2000/5 GA6523				15	0,5

TECHNICAL DRAWINGS

GA.60 LV CURRENT TRANSFORMERS



GA.60 NARROW LV CURRENT TRANSFORMERS



GA.80 LV CURRENT TRANSFORMERS



Product Model	Primary Current (A)/ Secondary Current (A) Origin Code		Sealed	Rated Power (VA)	Class
GA.80 (80 x 10)	1500/5 GA6601	1600/5 GA6602		15	0.5
	1500/5 GA6603	1600/5 GA6604		30	0.5
	1500/5 GA6605	1600/5 GA6606	✓	15	0.5

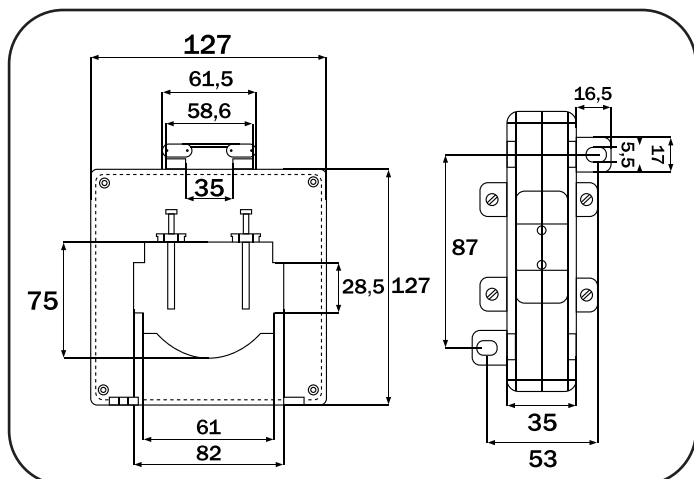
GA.100 LV CURRENT TRANSFORMERS



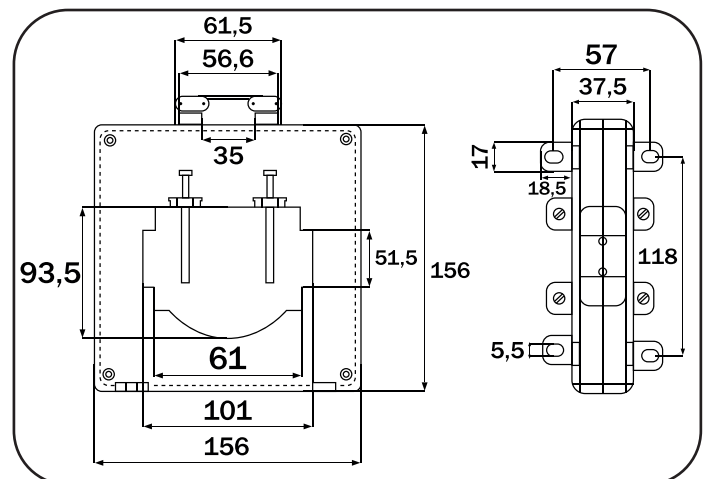
Product Model	Primary Current (A)/ Secondary Current (A) Origin Code						Sealed	Rated Power (VA)	Class
GA.100 (100 x 10)	2000/5 GA6701	2500/5 GA6702	3000/5 GA6703	3200/5 GA6704				15	0.5
	2000/5 GA6705	2500/5 GA6706	3000/5 GA6707	3200/5 GA6708	4000/5 GA6709	5000/5 GA6710		30	0.5
	2000/5 GA6711	2500/5 GA6712	3000/5 GA6713	3200/5 GA6714			✓	15	0.5
	4000/5 GA6715						✓	30	0.5

TECHNICAL DRAWINGS

GA.80 LV CURRENT TRANSFORMERS



GA.100 LV CURRENT TRANSFORMERS

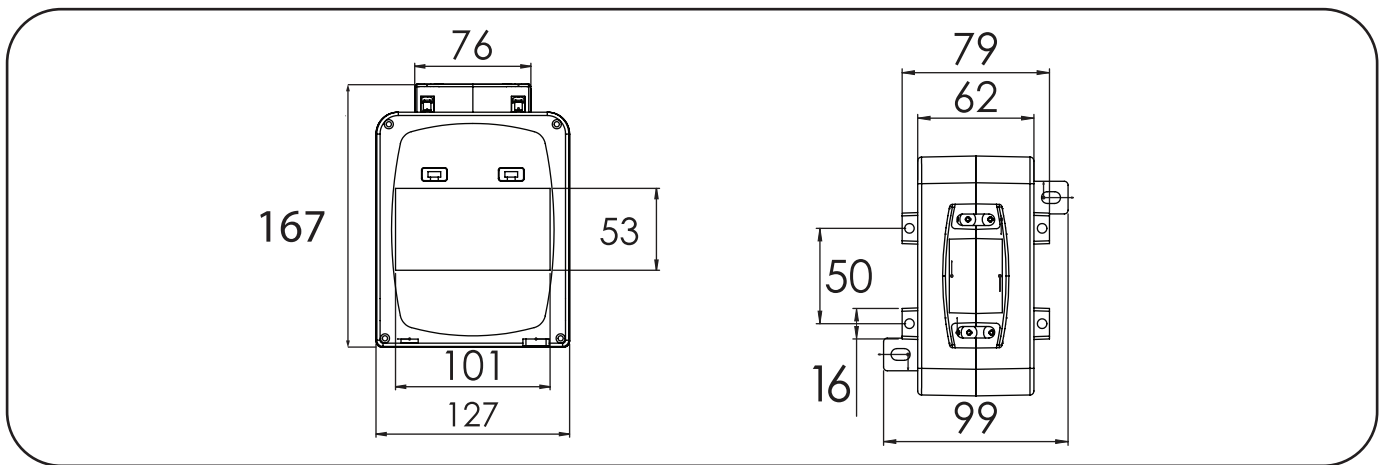


GA.100 NARROW CURRENT TRANSFORMERS



Product Model	Primary Current (A)/ Secondary Current (A) Orgin Code					Rated Power (VA)	Class
GA.100 DAR	1000/5 GA6716	1250/5 GA6717				10	0,5
	1600/5 GA6718	2000/5 GA6719	2500/5 GA6720	3000/5 GA6721	3200/5 GA6722	15	0,5
	4000/5 GA6723					30	0,5

GA.100 NARROW CURRENT TRANSFORMERS TECHNICAL DRAWING



CT30 CURRENT TRANSFORMERS



Product Code	Product Name	Product Description	Input Current	Output Current	Class
GA6921	AT CT30	CT30 AKIM TRAFOSU	120 A	15 mA	0.1

CT30 CURRENT TRANSFORMERS TECHNICAL DRAWING

